

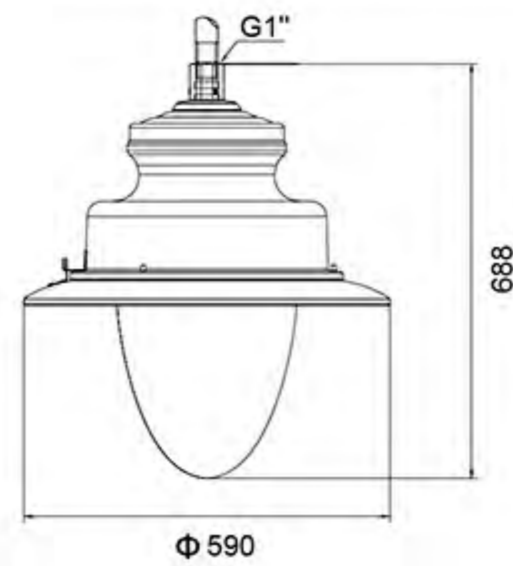
# KTSL7593



产品说明：  
旋压外壳  
二次配光技术  
抗UV PC灯罩  
整体密封结构

Product description:  
Spinning aluminum housing  
Double photometric diffuser technology  
UV-stop PC lamp cover  
Sealed lamp housing

灯具尺寸 Product Dimensions(mm)



配置数据 / Configuration Data:

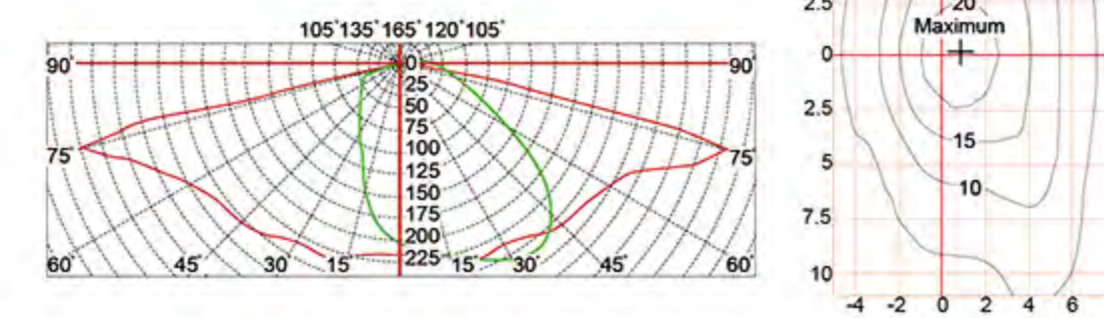
产品型号 Product Code	额定功率 Rated Power	LED 颗数 LED Qty	初始光通量 Luminous Flux	毛净重 G.W/N.W	包装尺寸 Packing Size	装柜数量 Loading Qty
KTSL7593(16)	35W	16	4410	7.4/6.5(kgs)	600x600x540mm	
KTSL7593(20)	45W	20	5670	7.4/6.5(kgs)	600x600x540mm	108PCS/20' GP
KTSL7593(24)	55W	24	6930	7.4/6.5(kgs)	600x600x540mm	
KTSL7593(28)	60W	28	7560	7.4/6.5(kgs)	600x600x540mm	228PCS/40' HQ
KTSL7593(32)	75W	32	9450	7.4/6.5(kgs)	600x600x540mm	

# Led Garden Lighting / 庭院灯

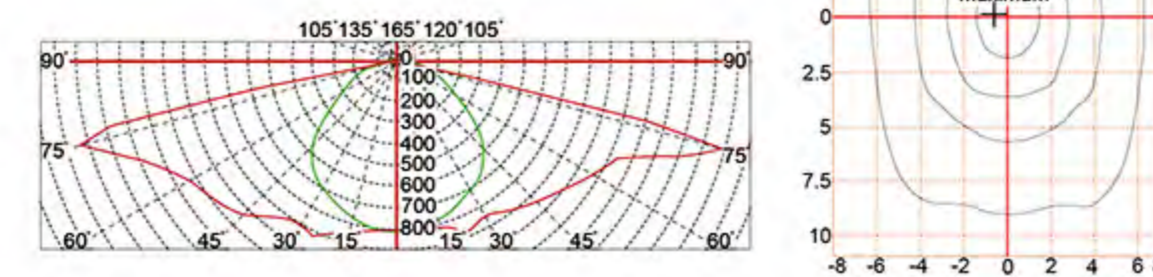


配光曲线 Polar Diagram

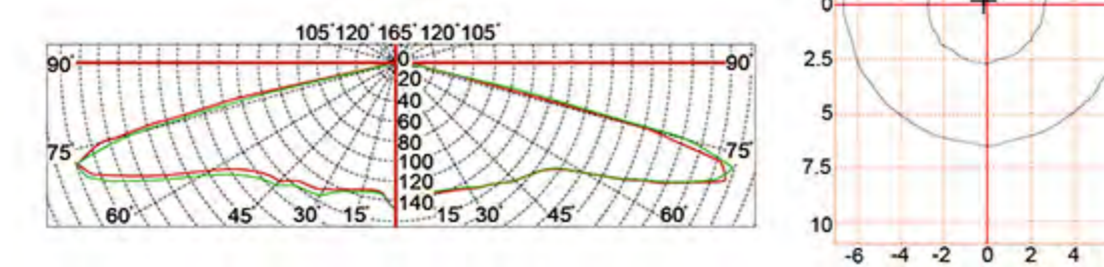
Type1



Type2



Type3



参考颜色 Reference color : RAL 9005 (Black) RAL 7015 (Grey)